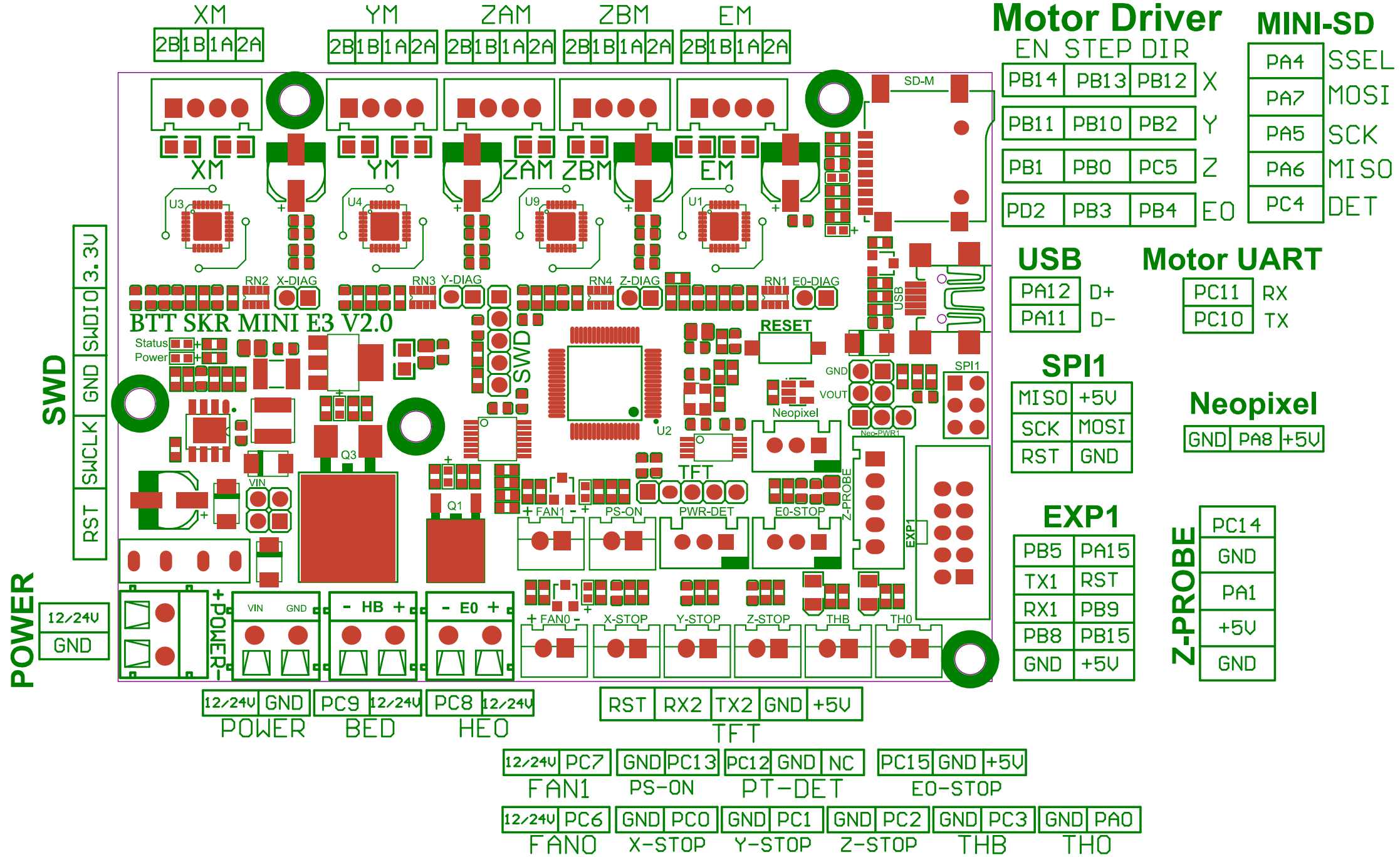


# BTT SKR MINI E3 V2.0 PIN

WWW.BIGTREE-TECH.COM



XM	YM	ZAM	ZBM	EM
2B1B1A2A	2B1B1A2A	2B1B1A2A	2B1B1A2A	2B1B1A2A

## Motor Driver

EN	STEP	DIR	
PB14	PB13	PB12	X
PB11	PB10	PB2	Y
PB1	PB0	PC5	Z
PD2	PB3	PB4	E0

## MINI-SD

PA4	SSEL
PA7	MOSI
PA5	SCK
PA6	MISO
PC4	DET

## USB

PA12	D+
PA11	D-

## Motor UART

PC11	RX
PC10	TX

## SPI1

MISO	+5V
SCK	MOSI
RST	GND

## Neopixel

GND	PA8	+5V
-----	-----	-----

## EXP1

PB5	PA15
TX1	RST
RX1	PB9
PB8	PB15
GND	+5V

## Z-PROBE

PC14
GND
PA1
+5V
GND

## SWD

RST	SWCLK	GND	SWDIO	3.3V
-----	-------	-----	-------	------

## POWER

12/24V
GND

12/24V	GND	PC9	12/24V	-	PC8	12/24V
POWER	BED	HEO				

RST	RX2	TX2	GND	+5V
TFT				

12/24V	PC7	GND	PC13	PC12	GND	NC	PC15	GND	+5V
FAN1	PS-ON	PT-DET	E0-STOP						

12/24V	PC6	GND	PC0	GND	PC1	GND	PC2	GND	PC3	GND	PA0
FANO	X-STOP	Y-STOP	Z-STOP	THB	TH0						